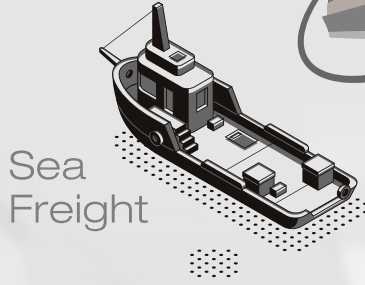


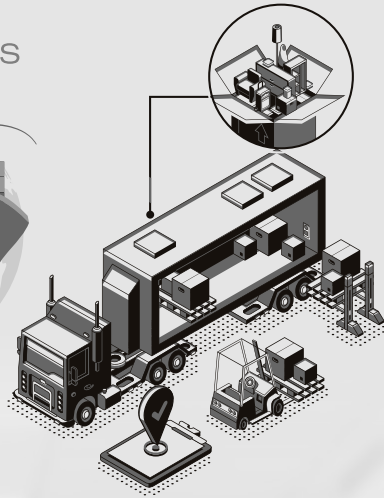


Air Freight

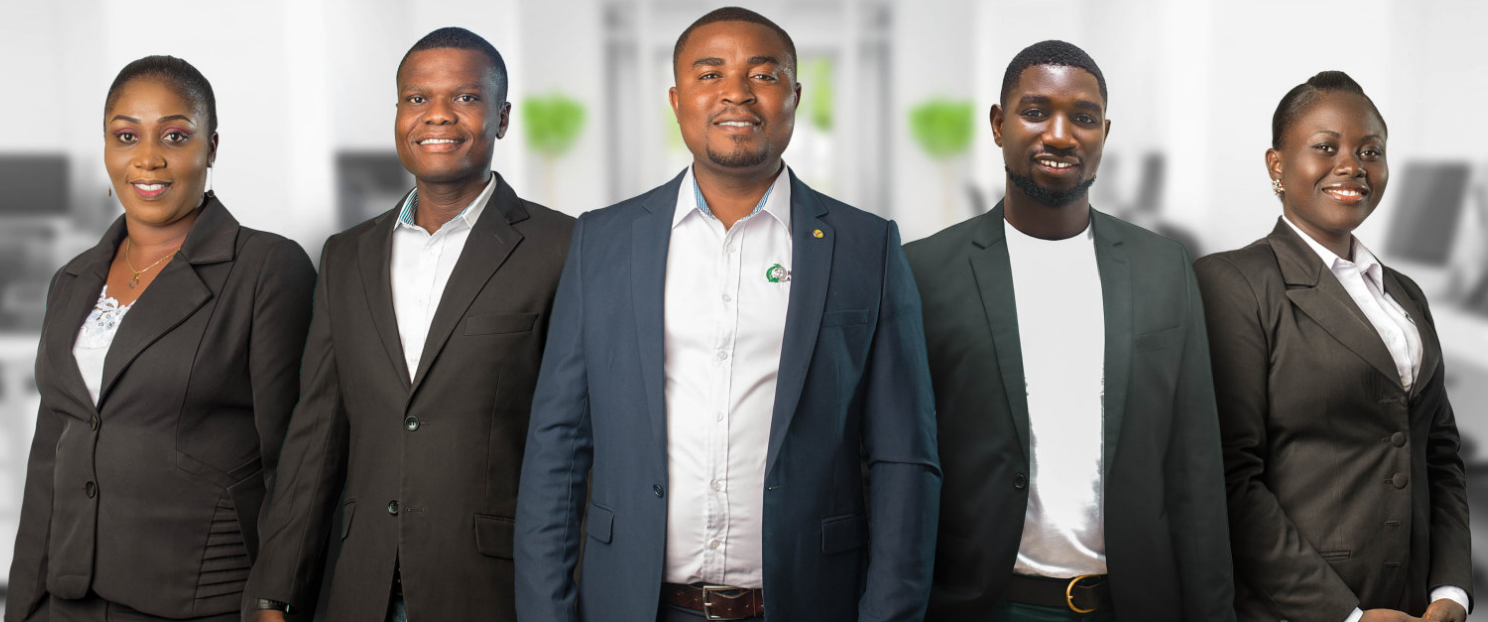
Ex-works



Sea
Freight



Haulage &
Warehousing



**HallMark Freights
& Logistics GH LTD**
Your trusted and reliable partner

Our Vision

To be the world's preferred logistics by creating value for money through technology, innovation and creativity.

Our Mission

To become the world's preferred supply chain logistics company applying insights, service quality and innovation to create sustainable growth for business and society.

Our Core Values

Safety/Security:

We never compromise safety/security in everything we do.

Continuous Improvement:

We work hard and smart by empowering and training our team members to provide creative and innovative solutions.

Customer Focused:

We exceed our customer's expectations by being friendly and reliable.

Passion for Execution:

We operate with a sense of urgency to get things done right.

Communication:

We communicate often, open and honestly.

Integrity/Honesty:

We do the right things and do what we say.

HallMark Freights & Logistics GH. LTD

Hallmark Freights and Logistics Ghana Limited is a limited liability company, incorporated under the Company's code with the registration number CS16342018.

Hallmark Freights is one of the leading Freight Forwarding Company in Ghana. Our ability to meet client needs just in time cannot be over emphasized. We have the most competitive rates and an unbeatable KPI record nationwide. Our excellent performance has earn us a wide range of SATISFIED Clients Globally.

Key People to Contact



Mr. Abraham Eghan
Operations Manager

+233 (0) 501 471 597
abraham@hallmarkfreightgh.org



Mr. Richard A. Sackitey
Business Development Manager

+233 (0) 501 471 599
richard@hallmarkfreightgh.org



Alice B.A. Adusei
Administrative/HR Manager

+233 (0) 501471600
alice@hallmarkfreightgh.org



Josephine Otu-Ayebofo
Port Manager

+233 (0) 501 471 598
josephine@hallmarkfreightgh.com



Benefit of using HallMark Freights And Logistics GH. LTD

- Our Online Tracking System (OTS)
- Our Pre-finance Package
- Competitive Service Charges
- Competitive Key Performance Indicators (KPI)
- General Goods In-transit Insurance
- Our Strategic Partners (Customs, FIATA, GIFF)

Some Of Our Major Clients



Our Services

- Air Freight
- Sea Freight
- Haulage
- Projects Cargo
- Warehousing
- Border Clearing
- Ex-works
- Export
- Custom Services
- Online Tracking
- International Business

Our KPI For Custom Service

- Air Freight - 24 to 48 hours
- Sea Freight - 48 to 72 hours
- Land Freight (Borders) - 12 hours



Anti-Bribery and Corruption

It is the Company's policy to conduct all of its business in an honest and ethical manner. The Company takes a zero-tolerance approach to bribery and corruption and is committed to acting professionally, fairly and with integrity in all its business dealings and relationships wherever it operates, and to implementing and enforcing effective systems to counter bribery.

The Company will uphold all laws relevant to countering bribery and corruption and is certified by Trace TPMS <https://tpms.traceinternational.org/IntermediaryDirectory> in respect of its conduct both at home and abroad.



Our Location & Contact

Head Office Loc.:
4th Floor, Allied Heights,
Olusegun Obasanjo Highway,
Abelemkpe, Accra, Ghana
GA-091-2842

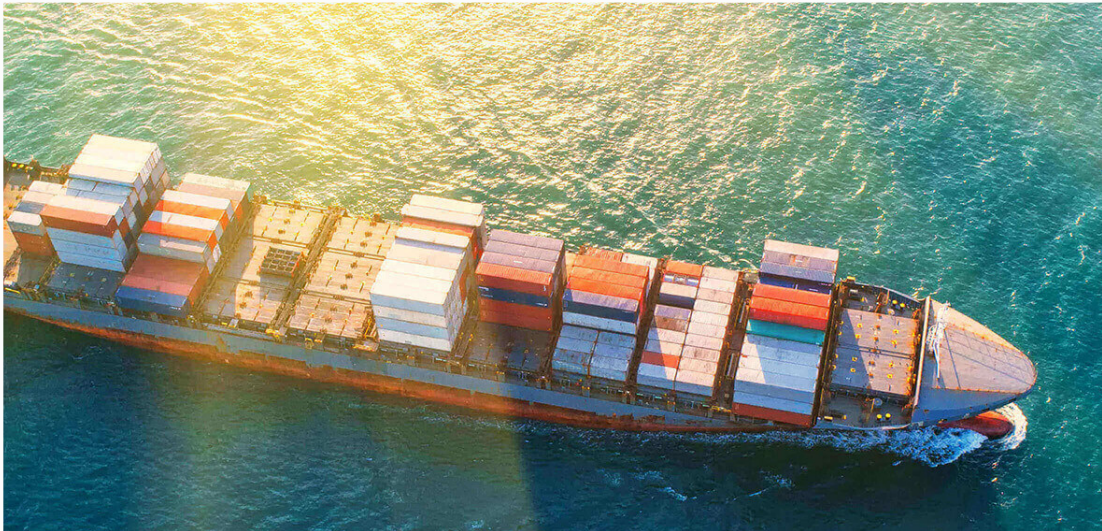
Tel: +233 302 915 335

Web: www.hallmarkfreightgh.org

Email: info@hallmarkfreightgh.org

Airport Office Loc.: Airport, Cargo Village

Airport Office No.: +233 501 471 598





Office No.: +233 (0)302 915335
+233 (0) 509 184329
www.hallmarkfreightgh.org
Email: infor@hallmarkfreightgh.org
Head Office Loc.: 4th Floor, Allied Heights,
Olusegun Obasanjo Highway,
Abelemkpe, Accra, Ghana

